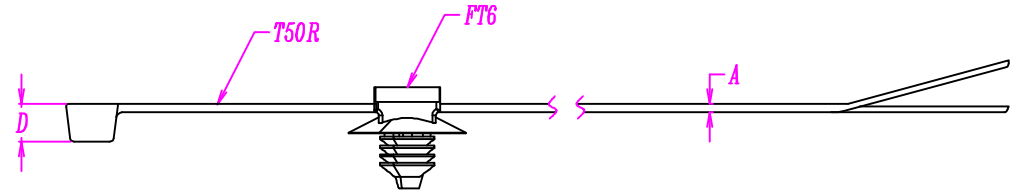
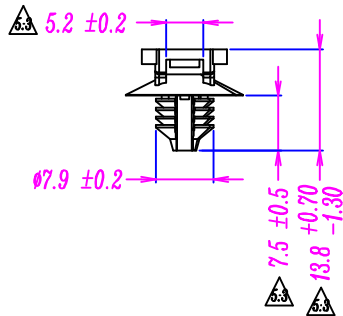
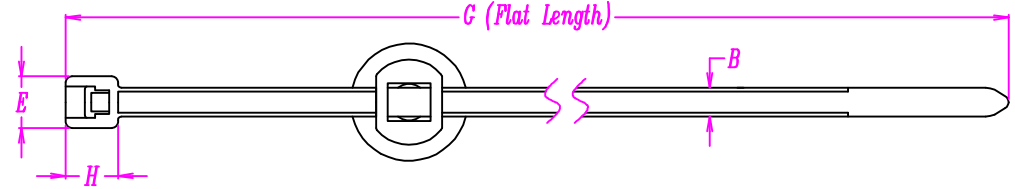
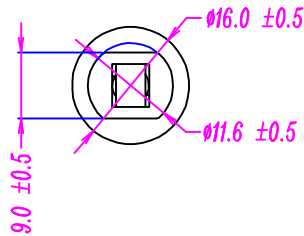


Revision Level		Revision Record	Changed	Date	Approval	Date
Part	Drawing					
	①	Bundle (mm) was 1.5 to 110	Mandy Ong	25-April-08	Edward Tan	25-April-08
	②	Product dimensions update (Group Standard - July'08)	Mandy Ong	17-Dec-08	Edward Tan	17-Dec-08
	③	Remove bundle diameter	Mandy Ong	28-Jan-09	Edward Tan	28-Jan-09
	④	Group Standard revision (July'10) - 202.0 ± 11.0 was 202.0 ± 10.0	Mandy Ong	01-July-10	Edward Tan	01-July-10
	⑤	Updated pictogramme and drawing template.	SIMON NG	11-June-19	Edward Tan	11-June-19
	⑥	Added HT Global project Number.	SIMON NG	11-June-19	Edward Tan	11-June-19
	⑦	Remove "D", "E" and "H" from cable tie dimensions chart	SIMON NG	11-June-19	Edward Tan	11-June-19
	⑧	(Requested by Amanda Harris to update drawing dimension and tolerance according to drawing no. NT14.1164) 1. Update hole size from $\phi 6.5 \sim \phi 7.0$ to $\phi 6.4 \sim \phi 7.1$ mm 2. Update dimension from 5.0 ± 0.2 to 5.2 ± 0.2 mm 3. Update dimension from 13.5 ± 1.0 to 13.8 ± 0.3 mm 4. Update dimension from 7.2 ± 0.5 to 7.5 ± 0.5 mm	SIMON NG	11-June-19	Edward Tan	11-June-19



A	B	G
1.2 ± 0.2	4.6 ± 0.2	202 ± 11

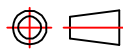
Hole Size :
⑧ $\phi 6.4 \sim \phi 7.1$ mm

Panel Thickness :
0.75 ~ 3.0mm

Material
P.A. 66

Tensile strength
225N (Minimum)

PERFORMANCE
SPECIFICATION



Drawn MANDY ONG 10 Oct 2007
Approved. EDWARD TAN 10 Oct 2007

Scale: 1 : 1

Reference:

The copyright of this drawing is reserved by HELLERMANN TYTON. It is issued on condition that it is not reproduced, copied or disclosed to a third party, either wholly or in part, without the consent of HELLERMANN TYTON.

HellermannTyton

545, Yishun Industrial Park A
Yishun Avenue 7
Singapore 768741
Tel: (+65) 6852 8585
Fax: (+65) 6756 6798

Title

T50RFT6

Drawing-No [SG07030-05]

93-0077-007-CSH ⑧

Format
A4

Sheet 1 of 1

Uncontrolled Document